

DATASHEET

TRACTION BATTERY NM105-6DC

DT

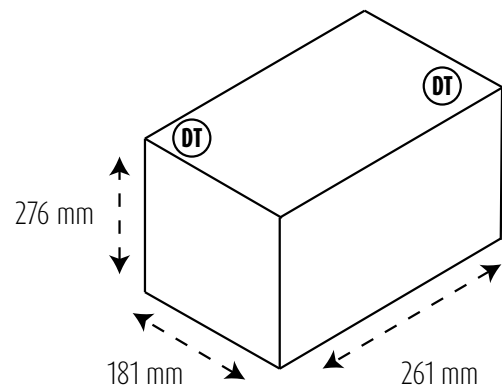


Electrical Specification

Nominal voltage	6V
Rated capacity	225 Ah (C20 and 25 °C)
Plate technology	Antimony / Antimony
Separator	Polyethylene + glass mat
Electrolyte	Sulphuric acid (SG 1,28) OCV 6.35V
Standards	IEC 60254; IEC 61427
Case / Lid material	Polypropylene
Lid type	Flat
Terminal type	Dual
Carrying Handles	Available

Amp Hours (AH)

C5	C20
5,10V 185Ah	5,25V 225Ah



Physical Specification

Length	261 mm / 10.28 inch
Width	181 mm / 7.13 inch
Height	276 mm / 10.87 inch
Typical weight	29,40 kg / 64,82 lbs

It is mandatory to check the electrolyte level every 3 months and top up with deionized water to the markings.

NORDMAX™

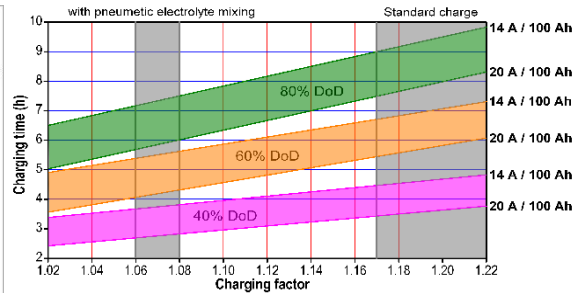
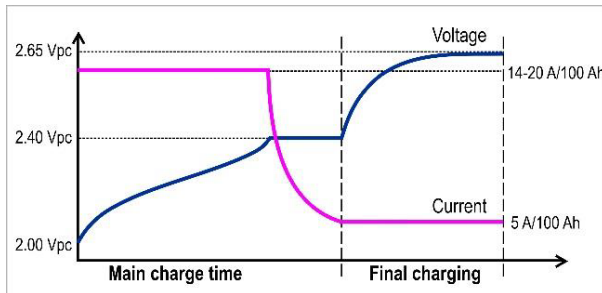
DATASHEET

TRACTION BATTERY NM105-6DC

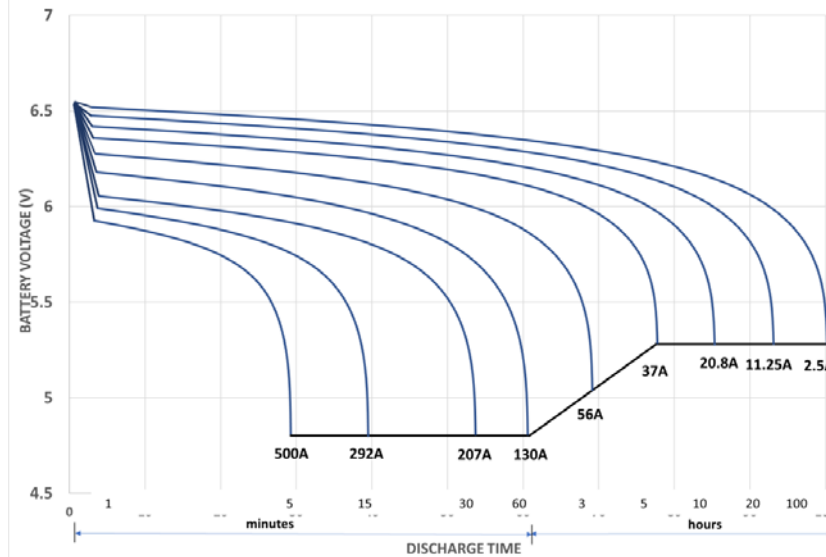
DT



Battery charge conditions at 25 °C



DISCHARGE CHARACTERISTICS DC 6V 225 Ah (25°C)



Cycle service life in relation to depth of discharge (DC 6/8V)

